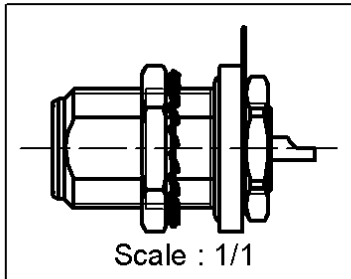
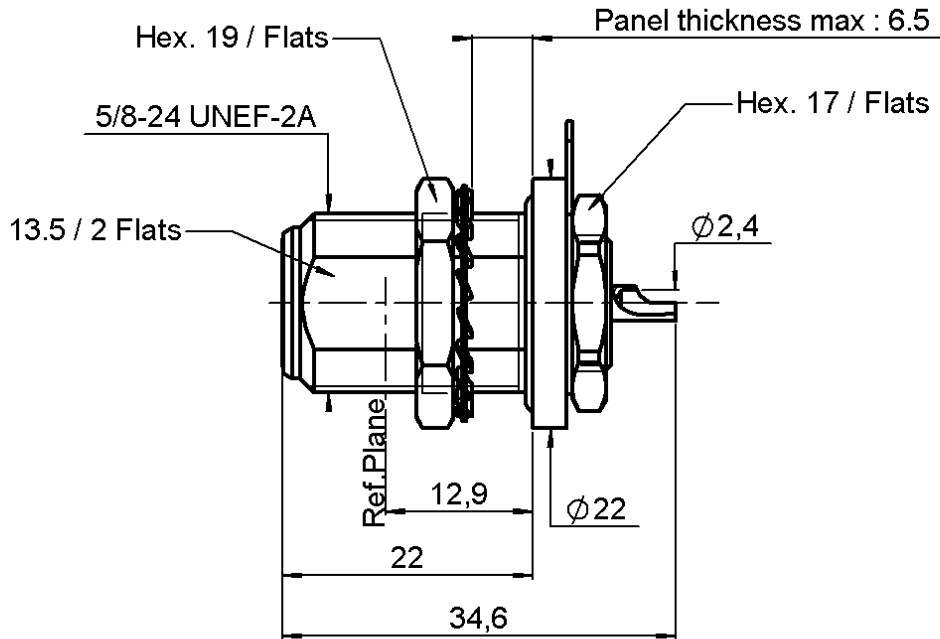


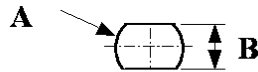
BULKHEAD JACK RECEPTACLE
COMBINATION SEAL WITH SOLDER POT CONTACT

R161.606.010

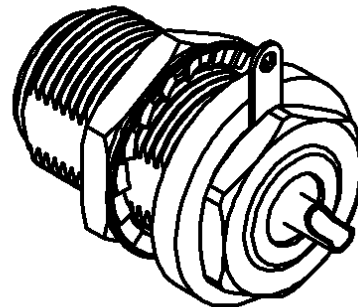
Series : N



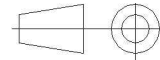
PANEL CUT OUT



mm		
	Maxi	mini
A	16.1	16
B	13.7	13.6



All dimensions are in mm.



COMPONENTS	MATERIALS	PLATINGS (µm)
BODY	BRASS	NICKEL 2
CENTER CONTACT	BERYLLIUM COPPER	GOLD 0.5 OVER NICKEL 2
OUTER CONTACT	BRASS	NICKEL 2
INSULATOR	PTFE	
GASKET	SILICONE RUBBER	
OTHERS PARTS	BRASS	NICKEL 2
-	-	-
-	-	-

Issue : 0441 D

In the effort to improve our products, we reserve the right to make changes judged to be necessary.



BULKHEAD JACK RECEPTACLE

R161.606.010

COMBINATION SEAL WITH SOLDER POT CONTACT

Series : N

PACKAGING

SPECIFICATION

Standard	Unit	Other
50	'W' option	Contact us

ELECTRICAL CHARACTERISTICS

ENVIRONMENTAL

Impedance		50 Ω
Frequency		0-11 GHz
VSWR	NA +	0.000 x F(GHz) Maxi
Insertion loss		NA √F(GHz) dB Maxi
RF leakage	- (NA - F(GHz)) dB Maxi
Voltage rating		1400 Veff Maxi
Dielectric withstanding voltage		2500 Veff mini
Insulation resistance		5000 MΩ mini

Operating temperature	-55/+155 ° C
Hermetic seal	NA Atm.cm3/s
Panel leakage	IP67

OTHERS CHARACTERISTICS

Assembly instruction **NA**

Others :

Salt sprag IEC 68-2-11 TEST KA
with panel material : AS 12

_Materials are compliant with the Eu's
ROHS directive.

MECHANICAL CHARACTERISTICS

Center contact retention		
Axial force – Mating end	27	N mini
Axial force – Opposite end	27	N mini
Torque	NA	N.cm mini
Recommended torque		
Mating	NA	N.cm
Panel nut	500	N.cm
Mating life	500	Cycles mini
Weight	38.700	g

Issue : 0441 D

In the effort to improve our products, we reserve the right to make changes judged to be necessary.

